






Bangladesh's First Medical Equipment Assembly Plant ...



MEGASAN
Medical Industries
Bangladesh Ltd.

-  megasanbd@gmail.com
-  megasanmai@gmail.com
-  www.megasan.com.bd



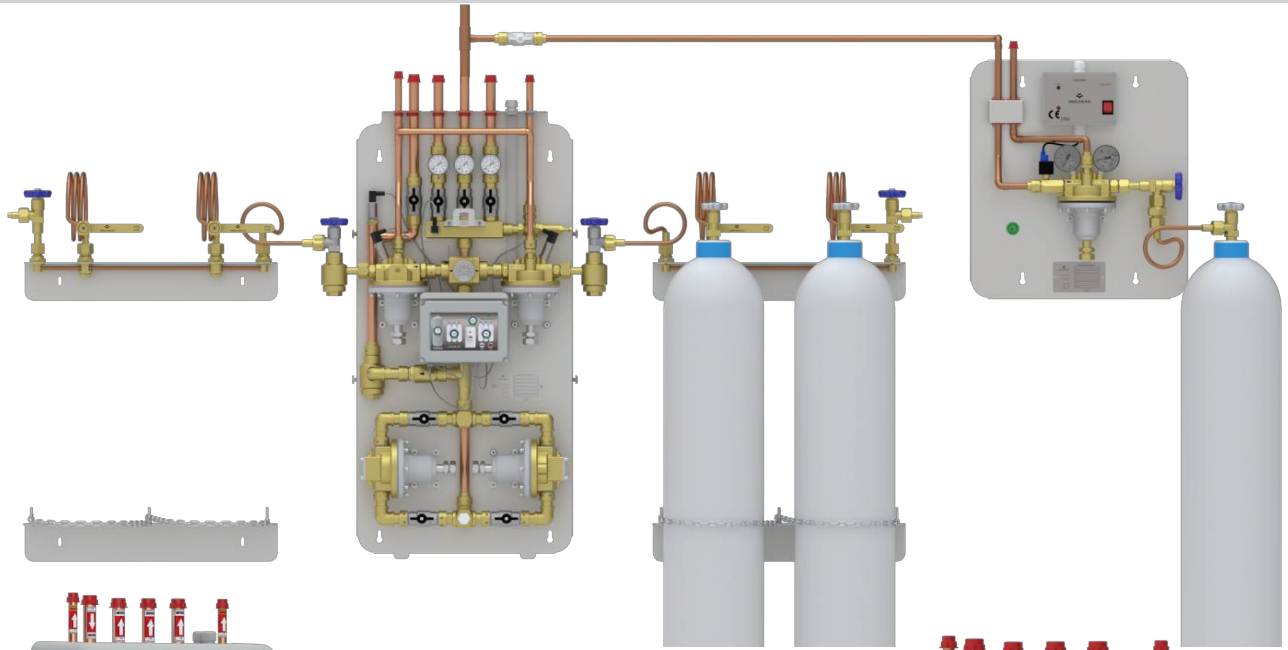
www.megasan.com.tr



Oxygen Generation System



Oxygen Analyzer



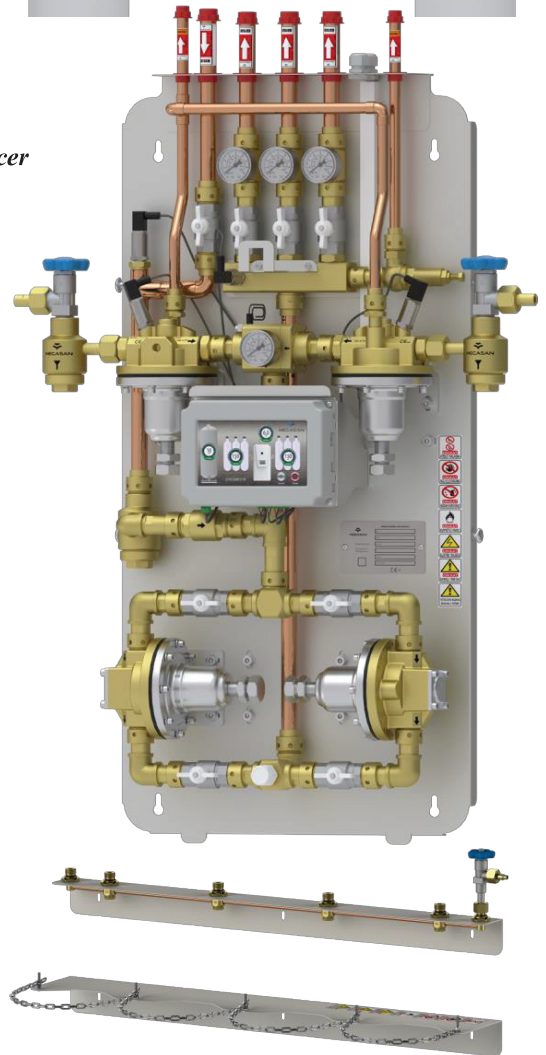
Fully Automatic High Pressure Reducer Stations and Equipment
Product Code : MG-YBDNx



LCD Manifold Alarm



Touchscreen
LCD Manifold Alarm



Tij Pipe Fittings
Product Code : MG-TIJx



Single High Pressure Reducer Unit

Product Code : MG-YBDTx Cylinder Collector
Product Code : MG-KOLx



*Medical Air Plant Product
 Code : MG-HSx-y-z*



*Medical Vacuum Plant Elite Model
 Product Code : MG-VSx-y*



*Medical Vacuum Plant Horizontal
 Type Product Code : MG-VSx-y*



AGSS Button



*Medical Anesthetic Gas Evacuation Plant
 (AGSS) Product Code : MG-AGSSx*



Single Outlet



Double Output

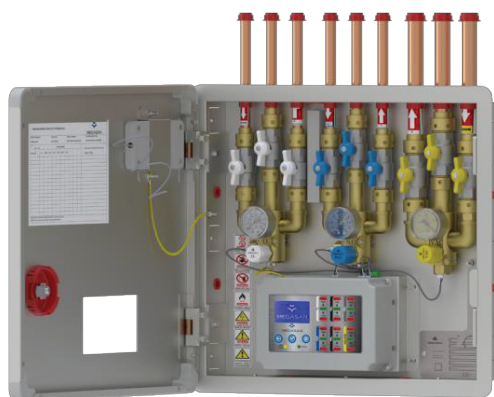
Regional Gas Control And Alarm Unit (Single – Double Output) Product Code : MG-BKAx-y



LCD Manifold Alarm



Touchscreen LCD Manifold Alarm



Zone Control And Alarm Unit 1-3 Gas Product Code : MG-KKAx-y



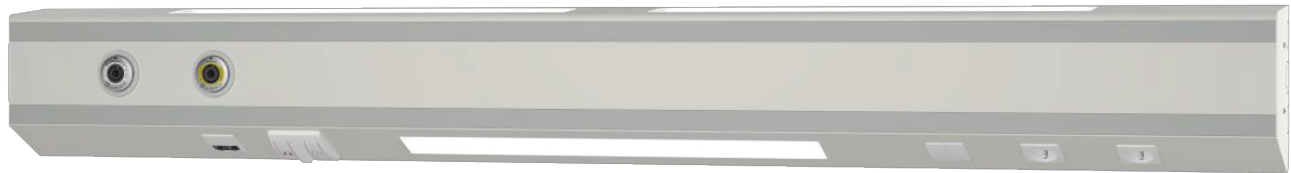
Zone Control And Alarm Unit With 4-6 Gas (Single – Double Output) Product Code : MG-KKAx-y



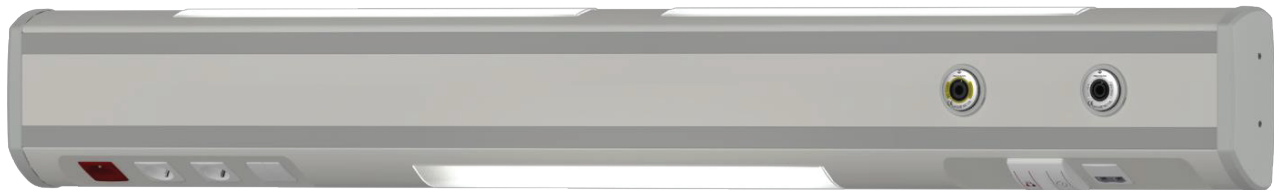
SCISSOR Patient Bed Head
 Unit Product Code : MG-HBMx



SPACE Patient Bed Head
 Unit Product Code : MG-HBSx



STANDARD Patient Bed Head Unit
 Product Code : MG-HBx



CYPRUS Patient Bed Head Unit
 Product Code : MG-HBCx



TRAPEZ Patient Bed Head
 Unit Product Code : MG-HBTx



RECTANGULAR Patient Bed Head
 Unit Product Code : MG-HBRx



**SINGLE ARM
SUSPENDED**
Vertical Intensive Care
Unit Product Code : MG- YOD-T



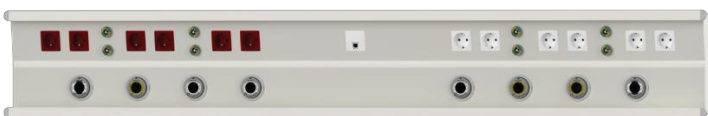
Pendant Column Trolley
Product Code : MG-SMK



PREMIUM
Vertical Intensive Care Unit
Product Code : MG-YOD-P



Ceiling Suspended Aluminum Rail Horizontal Intensive Care Unit
Product Code : MG-YOYA-Ax



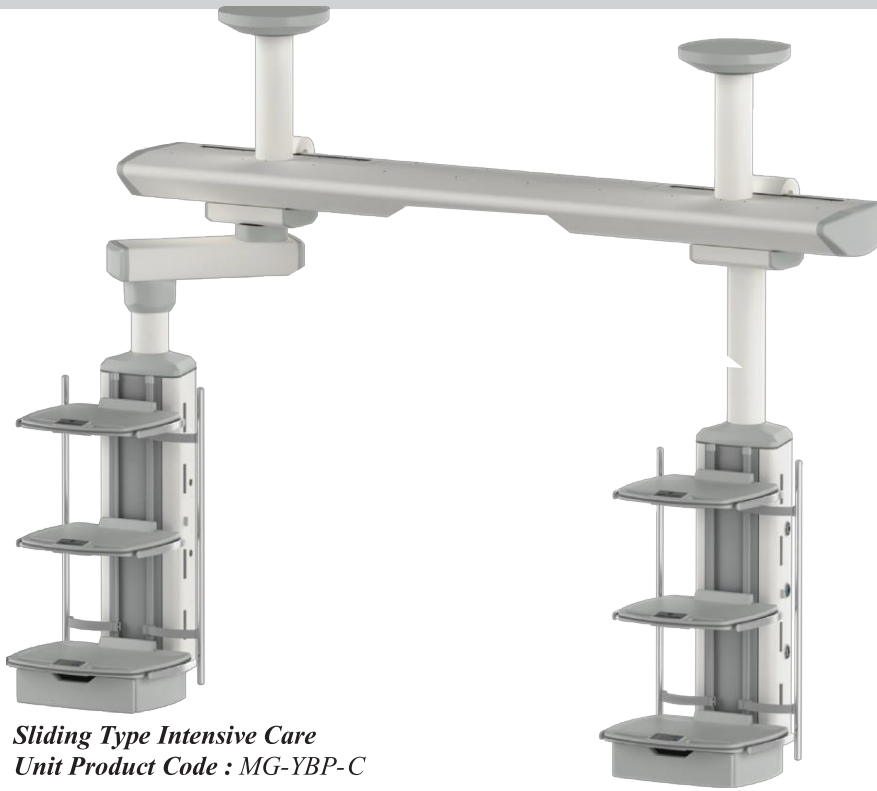
Horizontal Intensive Care Unit With Aluminum Rail - 2
Channel Product Code : MG-YOYA-x - 2 Channel



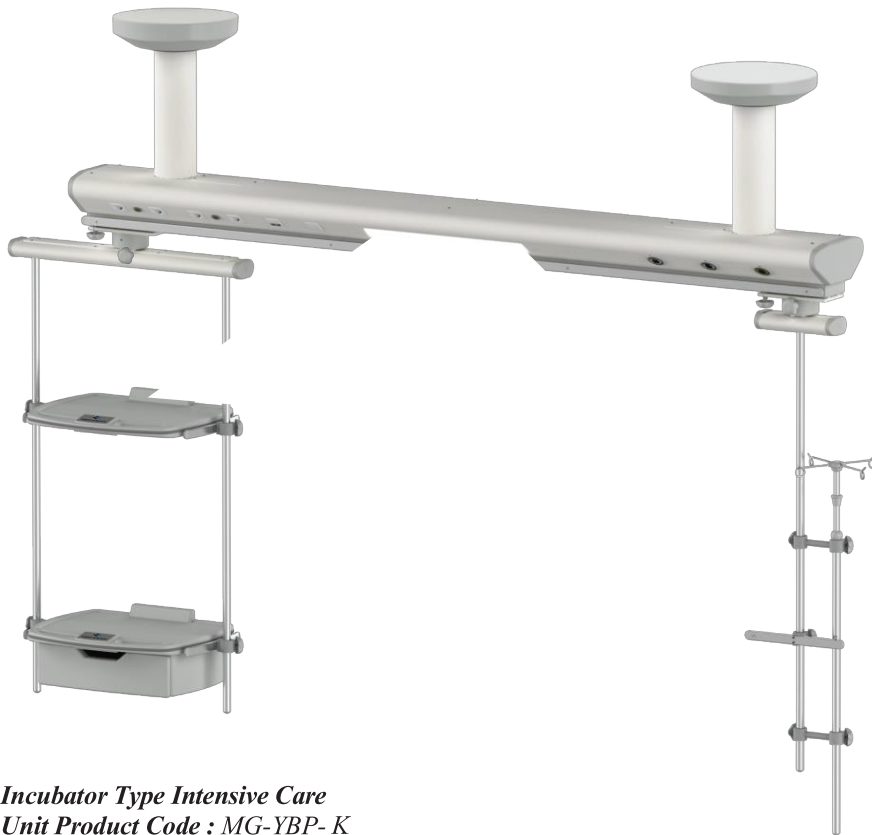
Horizontal Intensive Care Unit With Aluminum Rail -
3 Channel Product Code : MG-YOYA-x - 3 Channel



TOBLERONE
Wall Type Intensive Care Unit
Product Code : MG-YOT-S



*Sliding Type Intensive Care
Unit Product Code : MG-YBP-C*



*Incubator Type Intensive Care
Unit Product Code : MG-YBP-K*



Functional Medical Designs



**Double Arm Motorized Pendant -
Standard Product Code : MG-PENS-MD-S**



**Double Arm Pendant -
Anesthetic Product Code :
MG-PENA-D-A**



**Rigid Pendant - Wide Body
Product Code : MG-PEN-V-S**



**Single Arm Motorized Pendant -
Product Code : MG-PENA-M-S**



**Single Arm Pendant - Wide Body
Product Code : MG-PENC-S-S**



**Rigid Pendant - Anesthetic
Product Code : MG-PENA-V-S**



*Medical Gas Outlet Product
Code : MGS-xP-y-z*



*Anesthetic Gas Scavenging Outlet Pump Type
Product Code : MG-AGTP*

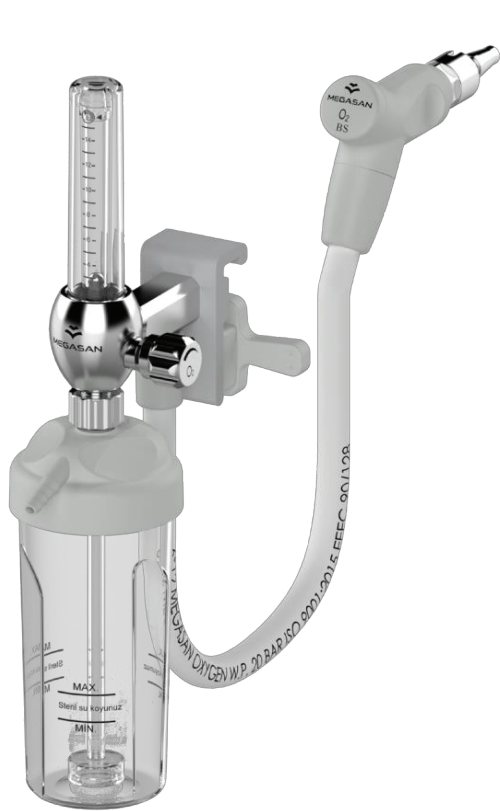


*Anesthetic Gas Scavenging Outlet Venturi Type
Product Code : MG-AGTV*



*Anesthetic Gas Scavenging Outlet Venturi Type
Product Code : MG-AGTV*

Our Own Testing and Laboratory Facilities



ELIT Flowmeter - Rail
Connection Product Code : MG-F-x



PLASTIC Flowmeter



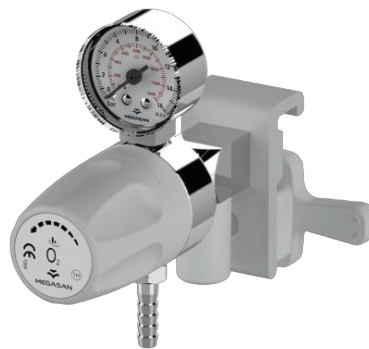
HYBRID Flowmeter



ELITE Flowmeter



CLICK - TYPE Flowmeter with Rail



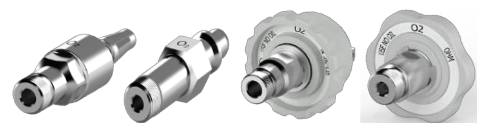
Central System Low Pressure Regulator
Product Code : MG-xRM-y



Gas Flow Valve Connection
Product Code : MG-GAMx-y



NIST Connections



Jacks



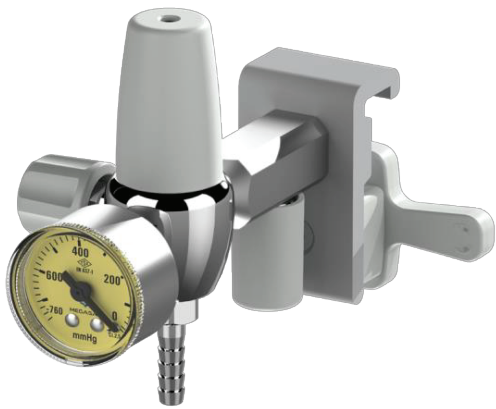
METAL Vacuum Regulator
Product Code : MG-VRMA-x



Vacuum Bottle
Product Code : MG-VKS



PREMIUM Vacuum Regulator
Product Code : MG-VRMA-x



TURBO Vacuum Regulator
Product Code : MG-VRMT-x



Catheter Jar
Product Code : MG-SK



MULTI-Use Vacuum Jar Product Code : MG-VGxy



DISPOSABLE Vacuum Jar Product Code : MG-VGxy



Vacuum Carrier - quad-
Product Code : MG-VKT-x



PREMIUM Vacuum Carrier
Product Code : MG-VKT-x

Life-Saving Precision and Quality



Ambulance Regulator
Product Code : MG-xR2MP



High Pressure Reducer
Product Code : MG-YBRx



Low Capacity Low Pressure Reducer
Product Code : MG-IBD-S

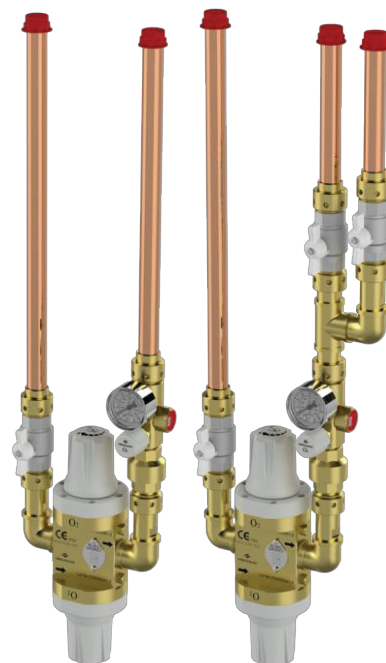
High Capacity Low Pressure Reducer Product
Code : MG-IBD-S



Therapy Device
Product Code : MG-TC



By-Pass Regulator



Single Outlet

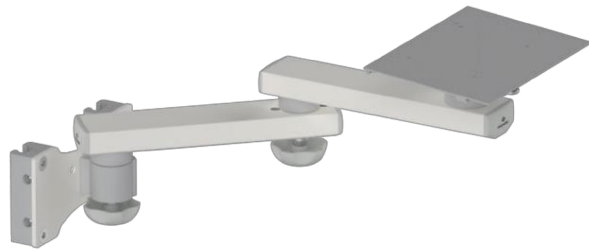
Double Output



Monitor Stand With Double Movable Arms With Pipe Connection



Monitor Stand with Pendant Connection - Rotated



Monitor Stand with Double Arm With Pendant Connection - Rotated



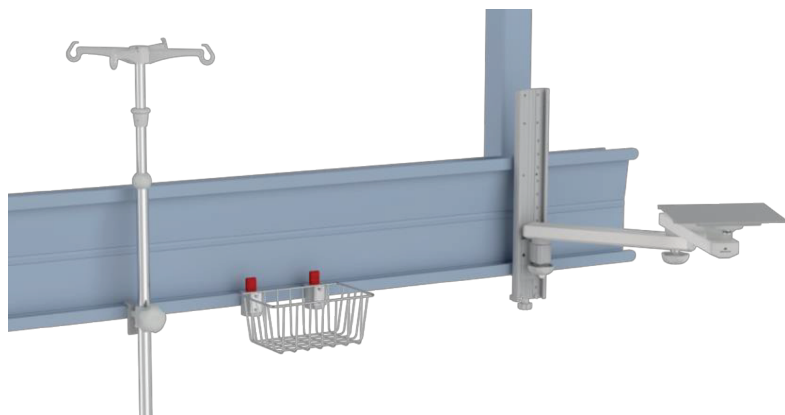
Monitor Stand



Keyboard & Note Stand

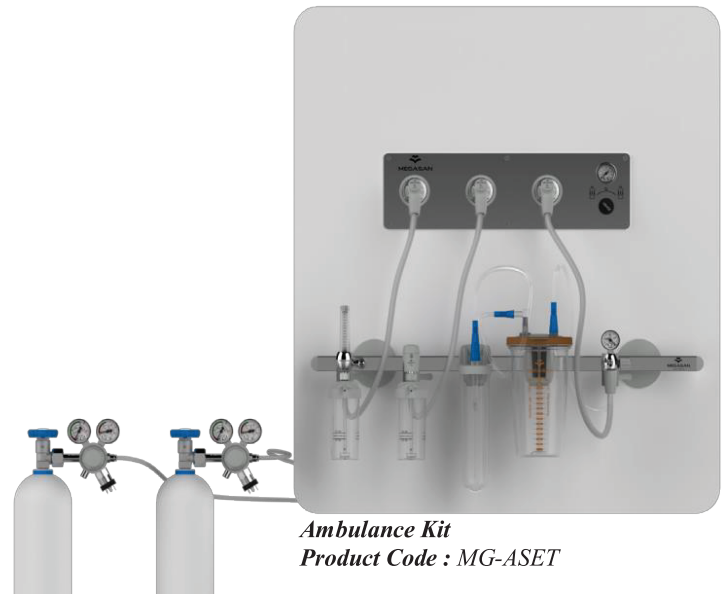


Monitor Stand With Basket With Wall Connection - Fixed

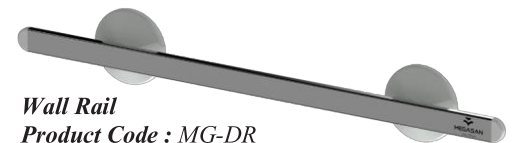


Monitor Stand With Double Arm Basket With Wall Connection - Rotated





Ambulance Kit
Product Code : MG-ASET



Wall Rail
Product Code : MG-DR

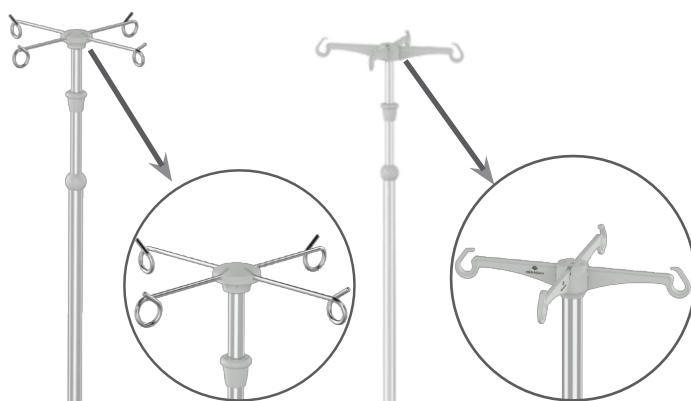


Ø25 Pipe Rail Apparatus

Ø38 Pipe Rail Apparatus



Ø25 Pipe Connection - 700 mm Ø25 Pipe Connection - 1400 mm



Metal IV Pole

Plastic IV Pole



Monitor Trolley with Drawer - 2 / 4
Product Code : MG-MAR



MEGASAN

Medical Industries
Bangladesh Ltd.



Head Office

MEGASAN Medikal A.S.

Cumhuriyet Mah. Zafer is Hani No:33/411
18100 Center Cankin, Ankara, Turkey
+90 (312) 805 18 18-865 18 21
+90 (312) 885 18 22
info@megasan.com.tr
www.megasan.com.tr

Bangladesh Factory:

Megasan Medical Industries Bangladesh Ltd.

Oronkola, Ishwardi, Pabna, Bangladesh
+8801339461961

Corporate Office

Megasan Bangladesh

Monipuripara Gate # 7, 147/1 (2nd Floor), Old Airport Road
(Cooper's Building), Dhaka-1205, Bangladesh
+8801339461963
megasanbd@gmail.com
www.megasan.com.bd

Sylhet Office:

105, Parkview Road, Pathantula, Sylhet, Bangladesh
8801615991909